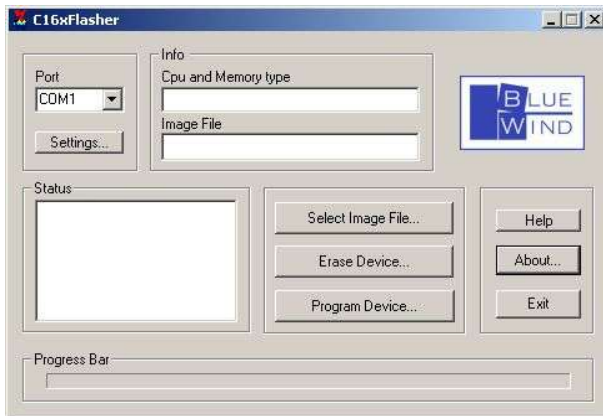


FLASHER

Bluewind FLASHER is the ultimate application for flash memory programming on embedded platforms. Its Microsoft Windows based user interface is easy and intuitive, while the availability of a complete set of command line parameters makes it possible to use FLASHER for your production environment. You can even launch FLASHER from within automation environments like NI LabView.



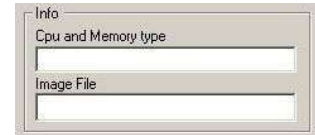
FLASHER has been developed compatible with several Infineon, Hitachi, Philips and ST single-chip microcontrollers and can be used for programming both internal and external FLASH memories.

<i>compatibility list</i>	
platform	Microsoft Windows 95/98/NT/2K/XP
target microcontroller	Infineon C16x/XC16x HITACHI H8S* Philips LPC21xx, LPC22xx ST STR7
FLASH memory	CPU internal memory (when applicable) AMD Am29Fxxx series and compatible types
automation	command line parameters and commands
connection with target	standard serial line RS232

* please ask for availability

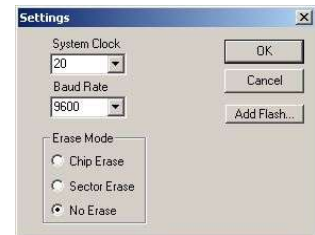
The list of compatible derivatives will be constantly updated by Bluewind based on the requests of customers.

The CPU type and external bus settings are recognized based on what has been configured by hardware design of the target system.



Only in few special situations manual settings are needed, and/or changes to the sources of the target firmware part.

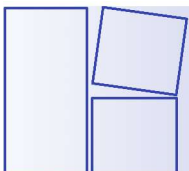
You can change the settings according to CPU speed, serial port and typical usage



New memory footprints (size, blocks) can be easily added with the enclosed flash device editor

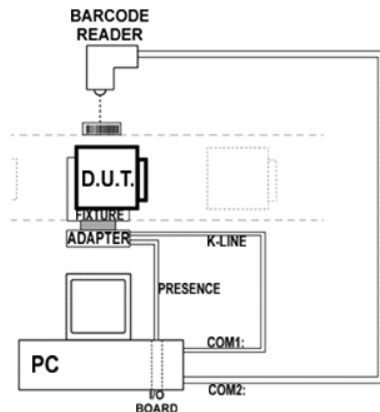


Just add e new device description and FLASHER will use it when its ID is recognized by using the standard JEDEC commands.

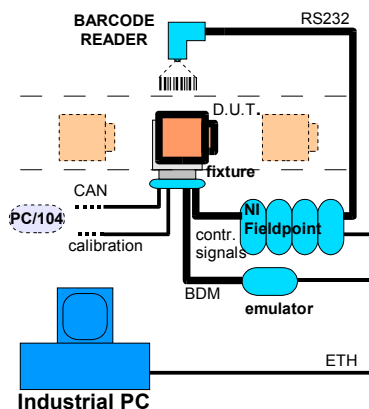


FLASHER custom

Bluewind developed a series of custom applications where FLASHER has been adapted to several high volume production environments.



FLASHER has been developed as a standalone executable based on Windows, but also as a "flashing engine" integrated with National Instruments LabView applications, sometimes by writing a new LabView VI (sub-block) with this purpose. It has been interfaced with several different emulation units in order to build a complete testing environment where the target board is loaded with the firmware and additional calibrations, tests and operations can also be performed according to the customer specifications. Examples are EEPROM memory programming and production tracking with barcodes.



FLASHER can be obtained from Bluewind with the right license model for your needs

licensing options	
standard	executables only
advanced	executables for Windows, sources for target code*
custom	sources for both Windows and target code*

* available on selected platform, please ask Bluewind for any customization need

Please ask Bluewind for a detailed description about how to solve your special needs in terms of programming speed, integration with existing testing setups and production tracking methods.

Any update developed by Bluewind within one year after purchase is included.

order codes	
FLASHER standard	BWFLS
FLASHER advanced	BWFLA
FLASHER custom	BWFLC
please specify target:	
-IFX for Infineon C16x/XC16x	
-HTC for Hitachi H8S	
-PHI for Philips LPC2000	
-ST for ST STR7	

